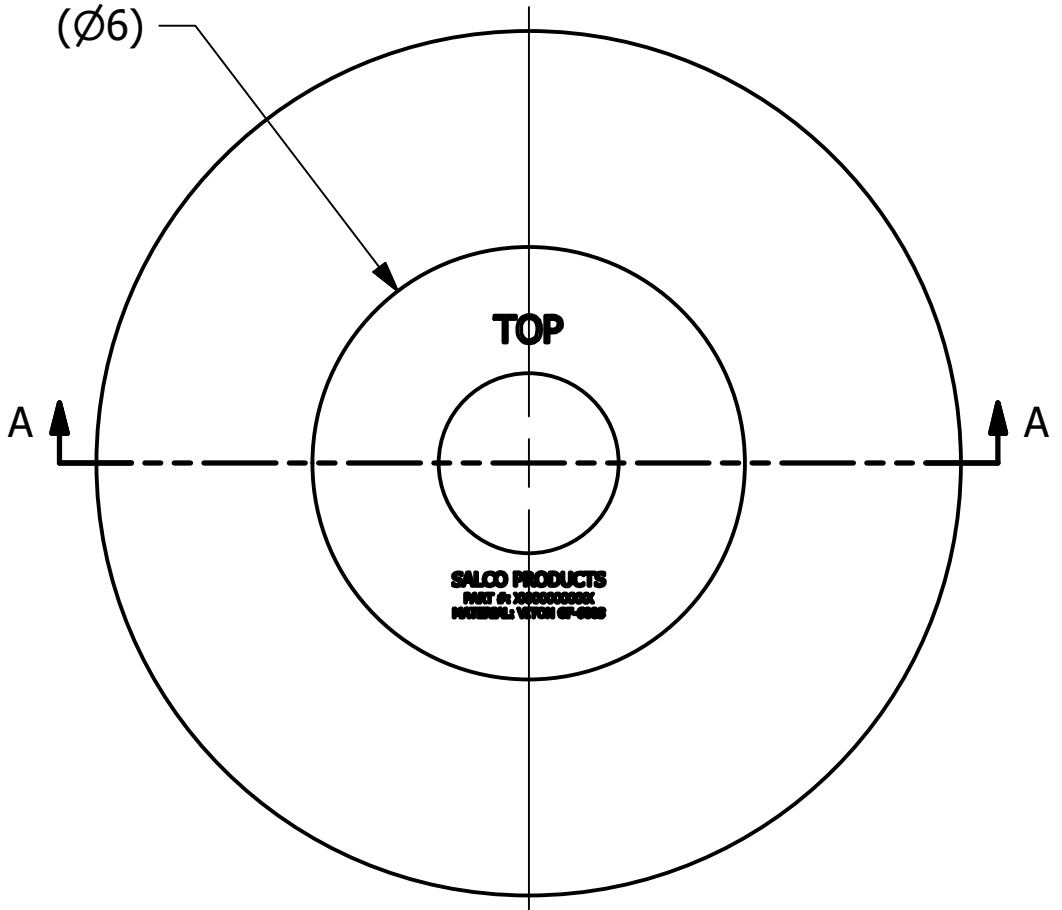
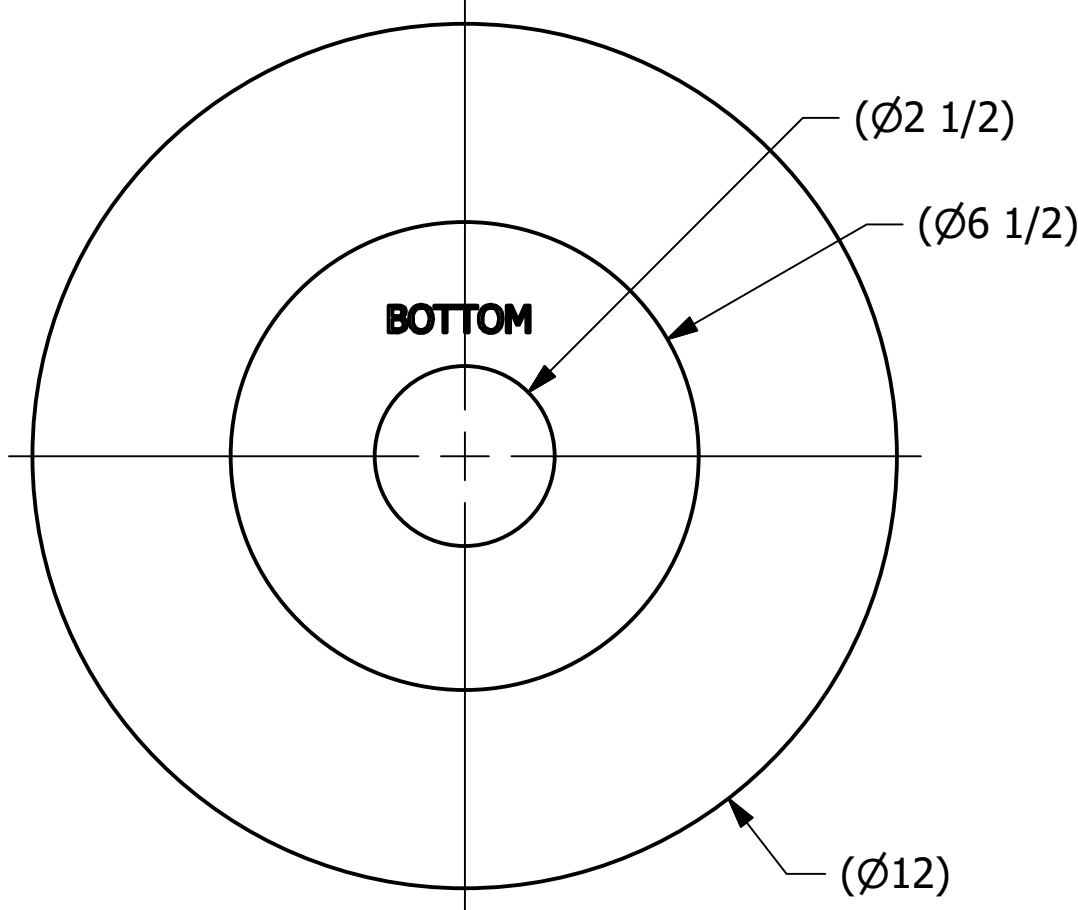


SALES DRAWING SALES DRAWING SALES DRAWING

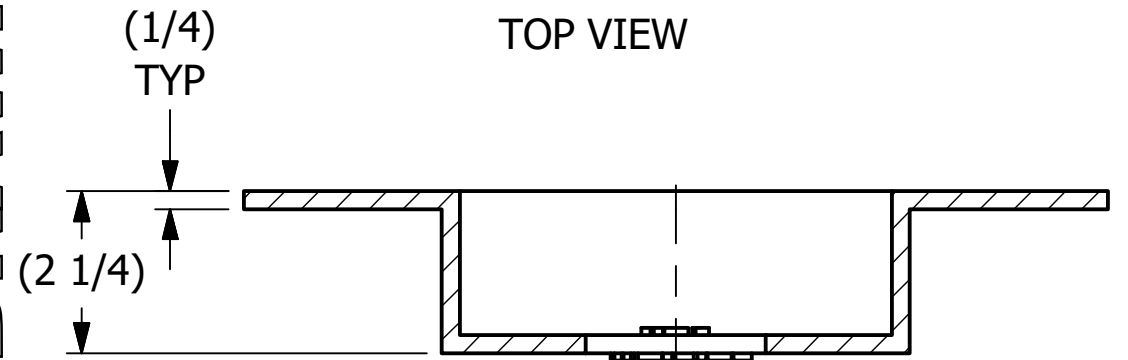
SALES DRAWING



TOP VIEW



BOTTOM VIEW



SECTION A-A

UNLESS OTHERWISE SPECIFIED DIMENSIONAL TOLERANCES		DRAWN BY:	AJB
FRACTIONAL:	±1/16	CHECKED BY:	WRB
X.XX:	±.03	PROTOTYPE DATE:	4/28/2011
X.XXX:	±.015	APPROVED FOR PRODUCTION BY:	AJB
ANGULAR:	±1°	PRODUCTION DATE:	8/21/2012
DEBURR ALL SHARP EDGES. ALL MACHINED SURFACES TO HAVE A 125 RMS FINISH UNLESS NOTED OTHERWISE.		SIZE:	B
THIRD ANGLE PROJECTION		DRAWING #:	30698

C	CHL	7/16/18	202305161459	CHL
REV	BY	DATE	REF #	PUB



PART NAME: **FILL HOLE COVER GASKET 8"**

MATERIAL: **BLACK VITON® GF**

PROJECT #: **100819** SHEET #: **1 OF 1** SCALE: **3:8**

PART #: **TC8VFHG12H**